

# AI GNT-P2913AB

## Features

**Industrial-Grade Media Converter 3KM / 20KM**



- ▶ Transmission Range: 3KM / 20KM
- ▶ Transmission Rate: 1000Mbps
- ▶ Power input: DC 12V0.4A/ PoE
- ▶ Adapter Power Supply
- ▶ Aluminium Alloy Abrasive Material
- ▶ Convenient

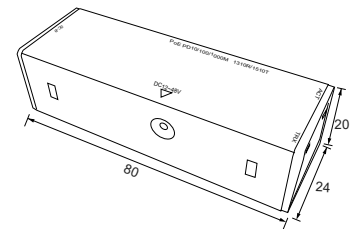


## SPECIFICATIONS

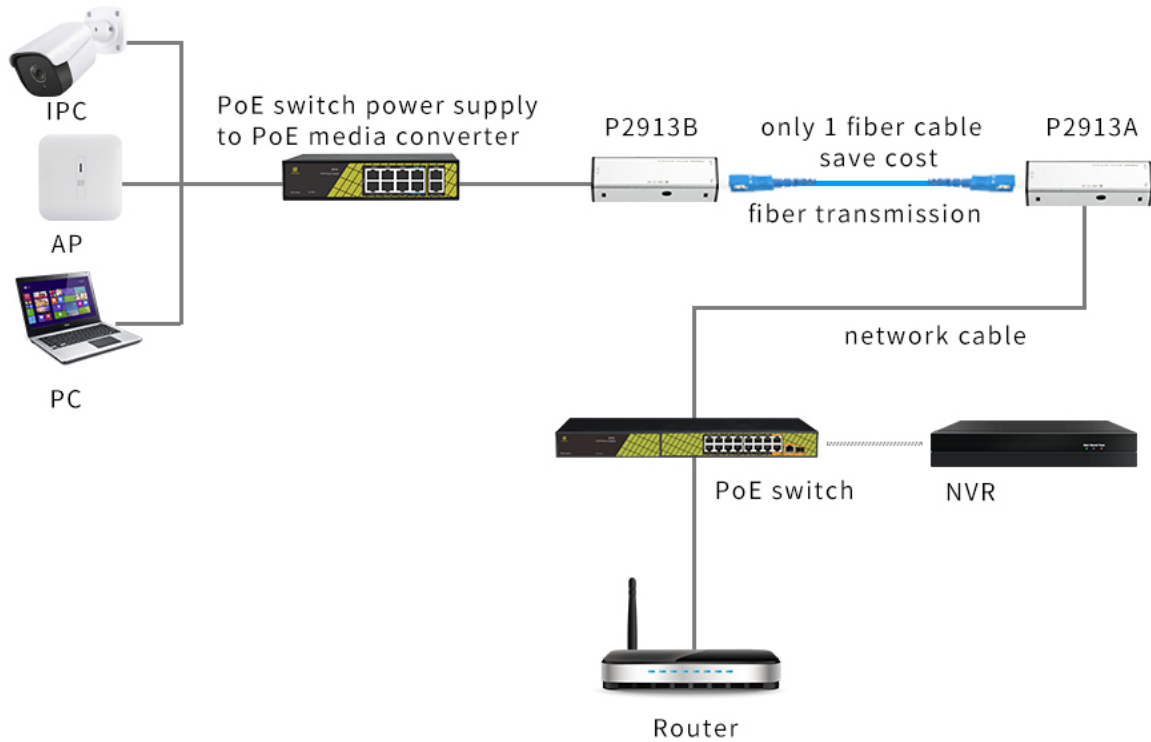
Model	GNT-P2903AB / GNT-P2913AB
Protocol Standard	IEEE802.3z/ab
Network Interface	RJ45 10/100/1000Mbps Self-Adaption Transmission Distance:100m
Fiber Interface	Single Mode SC Optical Fiber Type:Single Mode 9/125μm 1310T/1550R (A) / 1550T/1310R (B) Transmission Rate:1000Mbps Transmission Distance:≤ 3KM / 20KM
Performance & Specification	Forwarding Mode:Store Forward Transfer Mode:Full Duplex/Full Duplex Automatic Connection Network Latency:≤150μs
Power	Power input: DC 5-12V / PoE 48V DC Socket:5525mm
Physical Specifications	Size:80*24*20mm, Weight: 0.09KG
Working Environment	Operating Temperature: -30°C~75°C Storage Temperature: -10°C~55°C Operating Humidity: 10%~90% Non-condensing Storage Humidity: 5%~90% Non-condensing
Certification	CE Mark FCC Part15,Class B RoHS 2.0
Warranty	Whole Device: 1 year

- ▶ AI GNT-P2913AB = 3KM
- ▶ AI GNT-P2903AB = 20KM

## Dimension (mm)

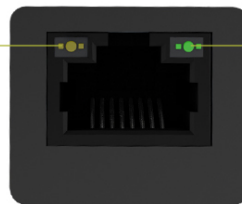


# APPLICATION



TRX

ON. : Optical port working  
 Flashing. : Optical port in transit  
 OFF. : Optical port is abnormal



ACT

ON. : RJ45 port working  
 Flashing. : RJ45 port in transit  
 OFF. : RJ45 port is abnormal