

AI-IP1030PM

IP Based Microphone with Touch Screen



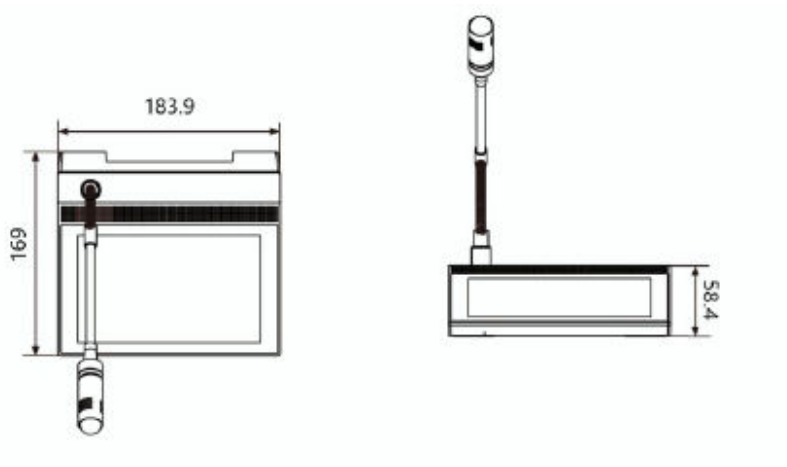
Introduction

The AI-IP1030PM is a IP Based Paging Microphone with Touch Screen. It is a network high-fidelity audio intercom paging microphone based on TCP/IP, SIP, UDP and other transmission protocols. It can carry out control, paging, and intercom functions. It possesses the high stability of conventional paging stations, steady and dependable operation, and low failure rate characteristics. Intelligent control lies at the basis of the architecture for signal digital transmission.

KEYFEATURE

- ▶ 7" high-dfinition display with 800x1280 resolution
- ▶ Capacitive touch screen
- ▶ Built-in digital audio processor, full duplex and hands-free audio intercom
- ▶ Support of initiating and receiving call without server relies
- ▶ Supports file, pre-recorded, and TTS broadcasting to specific zones or terminals
- ▶ Support standard SIP protocol for easy integration with mainstream SIP PBX(Yeaster, Asterisk, Cisco etc) Support online viewing of the working status of other terminals
- ▶ Support self-dfined ringtone of incoming call and broadcast
- ▶ Support incoming/outgoing call record and query function

DIMENSION



SPECIFICATIONS

Model	AI-IP1030PM
Power Supply	DC 12V, 2A
Standby Power Consumption	≤10W
Audio Codec	MP3, PCM, ADPCM
Audio Sampling & Bit Rate	8kHz-48.1kHz, 16 bit, 8kbps-320kbps
Built-in Speaker	5W, 4Ω
Signal to Noise Ratio	>82dB
Frequency Response	48Hz-8KHz
Network Interface	10BASE-T/100BASE-TX RJ45
Network Protocol	TCP/IP, UDP, ARP, ICMP, IGMP, HTTP, SIP
Volume	microphone, background voice
Display Screen	7" (1280x800); Capacitive Touch Screen
CPU	4-core ARM
RAM	1 GB
WIFI	2.4 GB
Operating System	Android 5.1
Audio Interface	2 Audio in, 1 Audio out, 1 USB 2.0
Operating Temperature	0°C~+45°C(32°F~113°F)
Operating Humidity	≤90% RH non-condensing
Front Panel Material	Steel
Housing Material	ABS/Aluminum
Colour	Black
Dimension	183.9x169x58.4mm
Weight	0.75Kg

REAR PANEL

